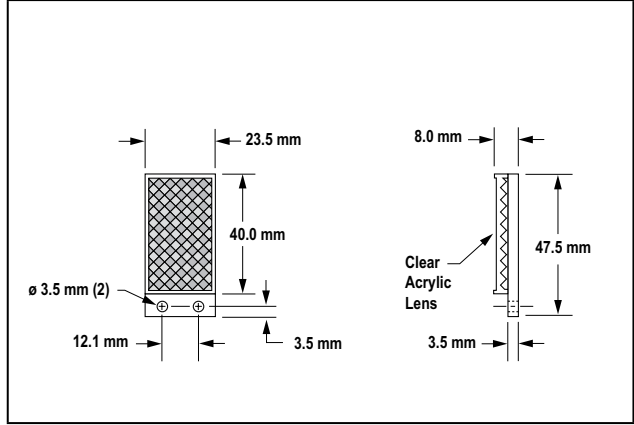
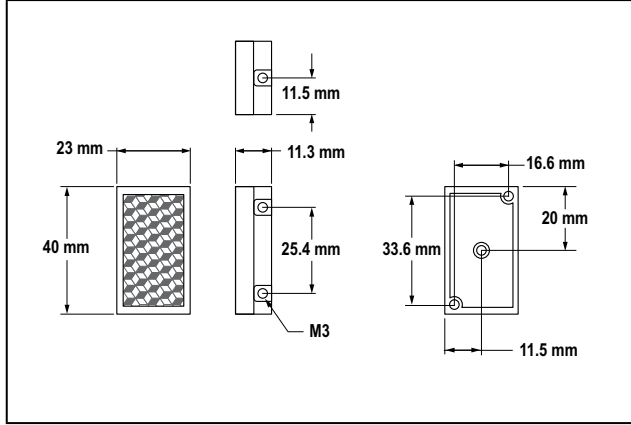


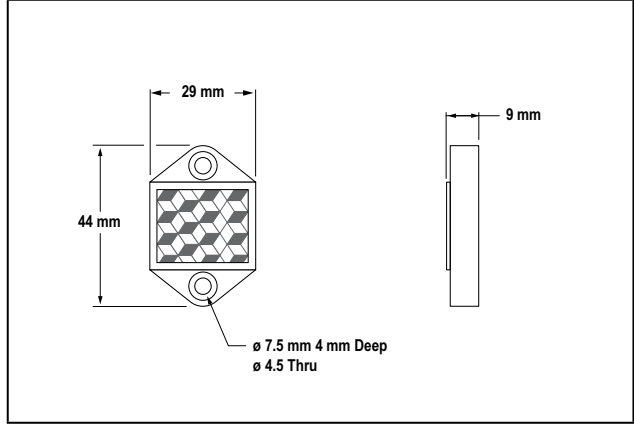
BRT-40X23B
 Description: Rectangular, acrylic target
 Reflectivity Factor: 1.4
 Max. Temperature: -20° to +60° C



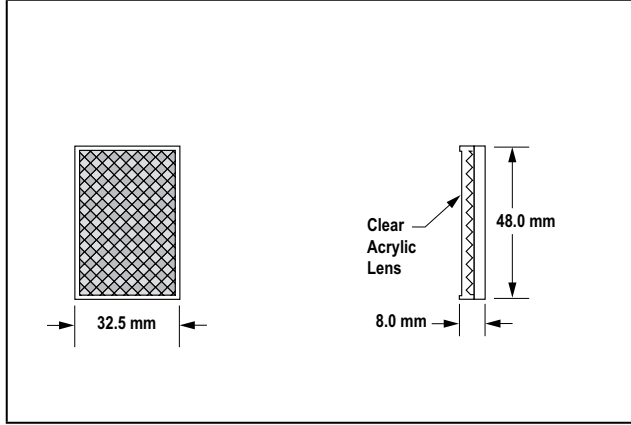
BRT-40X23ABC
 Description: Rectangular, acrylic target
 Reflectivity Factor: 1.4
 Max. Temperature: 50° C



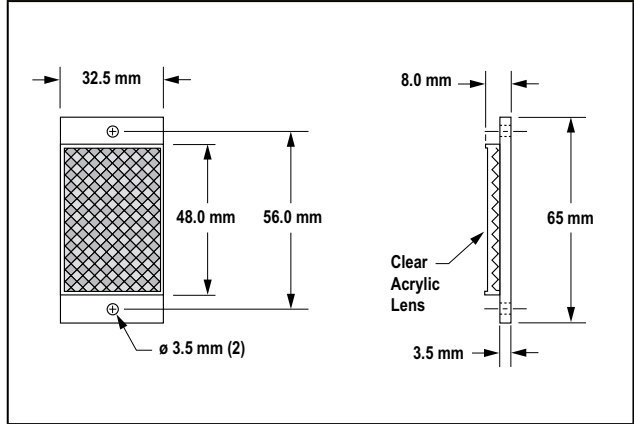
BRT-44X29A6
 Description: Rectangular, acrylic target
 Reflectivity Factor: 1.1
 Max. Temperature: 50° C
 Other: 6 mm facets; close to the face retroreflective sensing with bifurcated lens.



BRT-48X32
 Description: Rectangular, acrylic target
 Reflectivity Factor: 1.0
 Temperature: -20° to +60° C



BRT-48X32A
 Description: Rectangular, acrylic target
 Reflectivity Factor: 1.0
 Max. Temperature: -20° to +60° C



BRT-48X32B
 Description: Rectangular, acrylic target
 Reflectivity Factor: 1.0
 Temperature: -20° to +60° C

